



# HOODED FANS

Hooded fans offer a variety of standard construction features for commercial and industrial applications where low noise and economy are required. Direct and V-belt drive units for exhaust, supply or reversible, are available in 24" through 84" diameters with capacities up to 120,000 CFM. The following pages provide complete dimensional and performance information for Hooded Fans.

## Features

- **HOODS** - standard hoods are constructed of heavy galvanized steel and shipped as a complete unit for fixed installation in the field.
- **PROPELLERS** - hooded fans feature heavy-duty cast aluminum propeller with airfoil design blades.

- **FINISH** - standard finish includes a polyester powder coat paint for the entire fan panel, fan support, motor brackets and hood.
- **MOTORS** - heavy duty, 60-cycle motors are designed for continuous duty fan requirements. Totally enclosed motors are standard. Options are available for specific requirements such as explosion-proof, mill and chemical, and textile service.
- **V-BELT DRIVE** - standard V-belt drive components assure smooth operation. Motor and fan pulleys are cast iron sheaves provided with keyways and/or set screws.

## Options

- Disconnect switches
- Louvers
- Access doors
- Filters
- Bird screens
- Special colors and custom construction available



## HOODED DIRECT DRIVE MODELS

- All welded construction
- Cast aluminum propeller
- Polyester powder coat finish
- Custom construction and design available

Diam	HP	RPM	Tip Speed	0.0 SP	.125 SP	.25 SP	.375 SP	.50 SP	Totally Enclosed		Hazardous Location*	
									1 - PH	3 - PH	1 - PH	3 - PH
24"	1/2	1,150	7,230	6,230	5,540	5,150	4,310	3,110	HHC2413T-U-1200-DD	HHC2413T-X-1200-DD	HHC2413HL-U-1200-DD	HHC2413HL-X-1200-DD
	3/4	1,170	7,350	6,940	6,410	5,790	5,050	3,900	HHC2414T-U-1200-DD	HHC2414T-X-1200-DD	HHC2414HL-U-1200-DD	HHC2414HL-X-1200-DD
	1	1,150	7,230	7,270	6,710	6,070	5,790	3,890		HHC2415T-X-1200-DD	HHC2415HL-U-1200-DD	HHC2415HL-X-1200-DD
	1 1/2	1,760	11,100	8,550	8,060	7,480	6,950	6,420	HHC2416T-U-1800-DD	HHC2416T-X-1800-DD	HHC2416HL-U-1800-DD	HHC2416HL-X-1800-DD
	2	1,760	11,100	9,700	9,110	8,570	7,990	7,260	HHC2417T-U-1800-DD	HHC2417T-X-1800-DD	HHC2417HL-U-1800-DD	HHC2417HL-X-1800-DD
30"	1/2	860	6,750	8,230	7,180	5,980	4,010	1,760		HHC3013T-X-900-DD		
	3/4	860	6,750	9,900	8,770	7,370	4,330	2,600		HHC3014T-X-900-DD		
	1	1,150	9,030	9,370	8,660	7,840	6,970	5,920		HHC3015T-X-1200-DD	HHC3015HL-U-1200-DD	HHC3015HL-X-1200-DD
	2	1,150	9,030	13,200	12,400	11,500	10,500	9,330		HHC3017T-X-1200-DD		HHC3017HL-X-1200-DD
	3	1,750	13,700	16,100	15,300	14,500	13,600	12,700	HHC3018T-U-1800-DD	HHC3018T-X-1800-DD	HHC3018HL-U-1800-DD	HHC3018HL-X-1800-DD
36"	3/4	860	8,110	12,900	11,400	9,570	7,350	4,140		HHC3614T-X-900-DD		
	1	860	8,110	14,800	13,300	11,500	9,300	5,790		HHC3615T-X-900-DD		
	2	1,150	10,800	18,600	17,400	16,200	14,900	13,400		HHC3617T-X-1200-DD		HHC3617HL-X-1200-DD
	3	1,150	10,800	21,000	19,900	18,600	17,300	15,700	HHC3618T-U-1200-DD	HHC3618T-X-1200-DD		HHC3618HL-X-1200-DD
	5	1,150	10,800	24,100	22,800	21,300	19,300	16,900		HHC3619T-X-1200-DD		HHC3619HL-X-1200-DD
42"	2	860	9,460	16,100	15,200	14,300	13,400	12,400		HHC4217T-X-900-DD		
	3	860	9,456	21,262	19,890	18,213	16,601	12,325		HHC4218T-X-900-DD		
		1,150	12,600	25,300	24,100	22,700	22,000	19,400	HHC4218T-U-1200-DD	HHC4218T-X-1200-DD		HHC4218HL-X-1200-DD
	5	1,150	12,600	28,700	27,700	26,700	25,500	24,200		HHC4219T-X-1200-DD		HHC4219HL-X-1200-DD
	7 1/2	1,150	12,600	34,100	32,900	31,600	30,500	29,200		HHC421AT-X-1200-DD		HHC421AHL-X-1200-DD
	10	1,150	12,600	39,000	37,700	36,400	35,100	33,700		HHC421BT-X-1200-DD		HHC421BHL-X-1200-DD
48"	2	860	10,800	27,200	25,400	22,400	19,600	15,900		HHC4817T-X-900-DD		
	3	860	10,800	30,200	27,800	26,100	23,900	19,400		HHC4818T-X-900-DD		
	5	860	10,800	31,400	30,400	29,500	28,500	27,400		HHC4819T-X-900-DD		
	7 1/2	860	10,800	38,700	37,700	36,700	35,700	34,500		HHC481AT-X-900-DD		
	10	1,150	14,500	38,500	37,800	37,000	36,300	35,600		HHC481BT-X-1200-DD		HHC481BHL-X-1200-DD
	15	1,150	14,500	48,600	47,800	47,100	46,400	45,700		HHC481CT-X-1200-DD		HHC481CHL-X-1200-DD
54"	5	860	12,200	36,500	35,100	32,900	31,300	28,300		HHC5419T-X-900-DD		
	7 1/2	860	12,200	47,300	46,000	43,400	41,200	38,500		HHC541AT-X-900-DD		
	10	860	12,200	51,800	49,800	48,300	46,200	44,800		HHC541BT-X-900-DD		
60"	5	870	13,700	38,700	36,300	33,800	31,000	28,000		HHC6019T-X-900-DD		
	7 1/2	860	13,500	44,000	42,300	40,600	39,000	37,300		HHC601AT-X-900-DD		
	10	860	13,500	48,800	47,100	45,500	43,800	42,100		HHC601BT-X-900-DD		
	15	860	13,509	62,604	60,377	58,369	55,316	52,556		HHC601CT-X-900-DD		

\*See page 111 for information on hazardous location models.



## HOODED BELT DRIVE MODELS

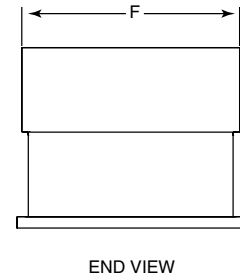
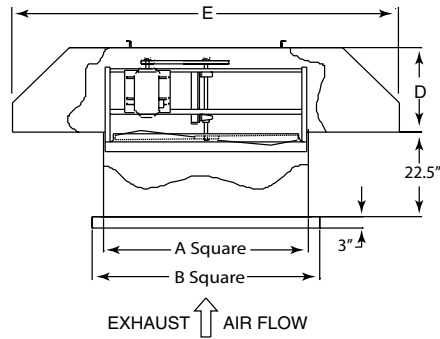
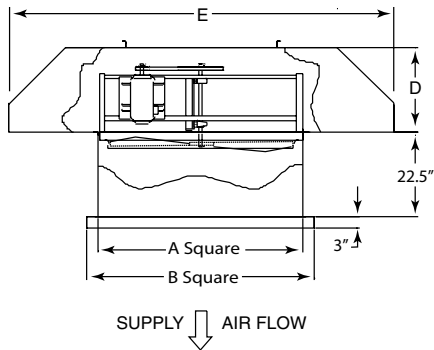
- All welded construction
- Cast aluminum propeller
- Polyester powder coat finish
- Custom construction and design available
- Cast sheave pulleys with key ways and/or set screws

Diam	HP	Tip Speed	0.0 SP	.125 SP	.25 SP	.375 SP	.50 SP	Totally Enclosed		Hazardous Location*	
								1PH	3PH	1PH	3PH
24"	1/2 HP	6,660	5,480	4,920	4,100	2,140	1,600	HHC2413T-U-BD	HHC2413T-X-BD	HHC2413HL-U-BD	HHC2413HL-X-BD
	3/4 HP	6,410	6,150	5,660	5,120	4,530	3,530	HHC2414T-U-BD	HHC2414T-X-BD	HHC2414HL-U-BD	HHC2414HL-X-BD
	1 HP	8,170	7,040	6,550	5,940	5,290	4,610	HHC2415T-U-BD	HHC2415T-X-BD	HHC2415HL-U-BD	HHC2415HL-X-BD
	1 1/2 HP	9,420	8,480	8,050	7,570	7,050	6,480	HHC2416T-U-BD	HHC2416T-X-BD	HHC2416HL-U-BD	HHC2416HL-X-BD
	2 HP	10,600	9,230	8,890	8,300	7,420	6,320	HHC2417T-U-BD	HHC2417T-X-BD	HHC2417HL-U-BD	HHC2417HL-X-BD
	3 HP	12,100	10,740	10,420	10,100	9,710	9,270	HHC2418T-U-BD	HHC2418T-X-BD	HHC2418HL-U-BD	HHC2418HL-X-BD
30"	1/2 HP	6,940	8,380	7,130	5,020	2,867	2,130	HHC3013T-U-BD	HHC3013T-X-BD	HHC3013HL-U-BD	HHC3013HL-X-BD
	3/4 HP	6,990	9,810	8,730	7,430	5,820	2,990	HHC3014T-U-BD	HHC3014T-X-BD	HHC3014HL-U-BD	HHC3014HL-X-BD
	1 HP	7,700	10,800	9,830	8,690	7,410	4,850	HHC3015T-U-BD	HHC3015T-X-BD	HHC3015HL-U-BD	HHC3015HL-X-BD
	1 1/2 HP	8,640	11,500	10,700	9,800	8,820	7,700	HHC3016T-U-BD	HHC3016T-X-BD	HHC3016HL-U-BD	HHC3016HL-X-BD
	2 HP	9,820	13,800	13,000	12,200	11,300	10,400	HHC3017T-U-BD	HHC3017T-X-BD	HHC3017HL-U-BD	HHC3017HL-X-BD
	3 HP	11,500	15,900	15,000	14,700	14,000	13,300	HHC3018T-U-BD	HHC3018T-X-BD	HHC3018HL-U-BD	HHC3018HL-X-BD
36"	1 HP	7,920	13,900	12,100	10,000	7,300	4,620	HHC3615T-U-BD	HHC3615T-X-BD	HHC3615HL-U-BD	HHC3615HL-X-BD
	1 1/2 HP	8,860	16,200	14,800	13,300	11,400	8,610	HHC3616T-U-BD	HHC3616T-X-BD	HHC3616HL-U-BD	HHC3616HL-X-BD
	2 HP	9,710	17,800	16,600	15,300	13,700	11,900	HHC3617T-U-BD	HHC3617T-X-BD	HHC3617HL-U-BD	HHC3617HL-X-BD
	3 HP	10,900	20,300	19,200	18,000	16,800	15,400	HHC3618T-U-BD	HHC3618T-X-BD	HHC3618HL-U-BD	HHC3618HL-X-BD
	5 HP	13,200	24,100	23,100	22,200	21,200	20,200		HHC3619T-X-BD		HHC3619HL-X-BD
	7 1/2 HP	15,100	27,700	26,900	26,100	25,200	24,400		HHC361AT-X-BD		HHC361AHL-X-BD
42"	1 1/2 HP	6,120	18,000	16,000	13,600	9,900	5,900	HHC4216T-U-BD	HHC4216T-X-BD	HHC4216HL-U-BD	HHC4216HL-X-BD
	2 HP	6,980	20,500	18,700	16,900	14,400	9,600	HHC4217T-U-BD	HHC4217T-X-BD	HHC4217HL-U-BD	HHC4217HL-X-BD
	3 HP	7,810	22,900	21,400	19,800	18,000	15,600	HHC4218T-U-BD	HHC4218T-X-BD	HHC4218HL-U-BD	HHC4218HL-X-BD
	5 HP	9,470	27,800	26,500	25,200	23,900	22,400		HHC4219T-X-BD		HHC4219HL-X-BD
	7 1/2 HP	10,800	31,800	30,600	29,500	28,400	27,300		HHC421AT-X-BD		HHC421AHL-X-BD
	10 HP	12,000	35,300	34,300	33,300	32,300	31,300		HHC421BT-X-BD		HHC421BHL-X-BD
48"	1 1/2 HP	5,970	22,800	19,800	16,000	8,600	5,200	HHC4816T-U-BD	HHC4816T-X-BD	HHC4816HL-U-BD	HHC4816HL-X-BD
	2 HP	7,110	27,000	24,400	21,500	18,000		HHC4817T-U-BD	HHC4817T-X-BD	HHC4817HL-U-BD	HHC4817HL-X-BD
	3 HP	8,210	31,400	27,000	24,300	21,200	11,100	HHC4818T-U-BD	HHC4818T-X-BD	HHC4818HL-U-BD	HHC4818HL-X-BD
	5 HP	9,610	36,700	34,800	32,900	31,000	28,600		HHC4819T-X-BD		HHC4819HL-X-BD
	7 1/2 HP	11,000	42,100	40,500	38,800	37,200	35,500		HHC481AT-X-BD		HHC481AHL-X-BD
	10 HP	12,100	46,400	44,900	43,400	41,900	40,400		HHC481BT-X-BD		HHC481BHL-X-BD
54"	2 HP	6,930	29,000	25,900	22,000	13,300	7,100	HHC5417T-U-BD	HHC5417T-X-BD	HHC5417HL-U-BD	HHC5417HL-X-BD
	3 HP	7,780	33,200	30,500	27,700	23,700	14,900	HHC5418T-U-BD	HHC5418T-X-BD	HHC5418HL-U-BD	HHC5418HL-X-BD
	5 HP	9,330	39,800	37,500	35,200	32,700	29,400		HHC5419T-X-BD		HHC5419HL-X-BD
	7 1/2 HP	10,700	45,400	43,400	41,400	39,500	37,100		HHC541AT-X-BD		HHC541AHL-X-BD
	10 HP	11,700	49,700	47,900	46,100	44,300	42,400		HHC541BT-X-BD		HHC541BHL-X-BD
	60"	2 HP	7,460	33,300	28,900	23,100	14,000		HHC6017T-U-BD	HHC6017T-X-BD	HHC6017HL-U-BD
3 HP		6,440	34,400	30,700	25,900	16,800		HHC6018T-U-BD	HHC6018T-X-BD	HHC6018HL-U-BD	HHC6018HL-X-BD
5 HP		8,010	43,300	40,300	37,100	33,200	28,000		HHC6019T-X-BD		HHC6019HL-X-BD
7 1/2 HP		9,580	51,200	48,700	46,200	43,300	40,000		HHC601AT-X-BD		HHC601AHL-X-BD
10 HP		10,400	55,400	53,000	50,700	48,200	45,200		HHC601BT-X-BD		HHC601BHL-X-BD
15 HP		12,000	64,300	62,200	60,200	58,200	56,100		HHC601CT-X-BD		HHC601CHL-X-BD

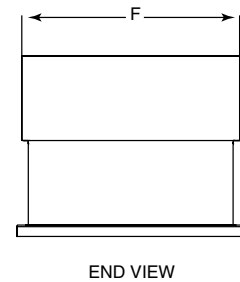
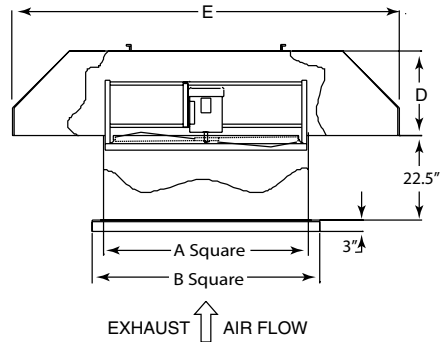
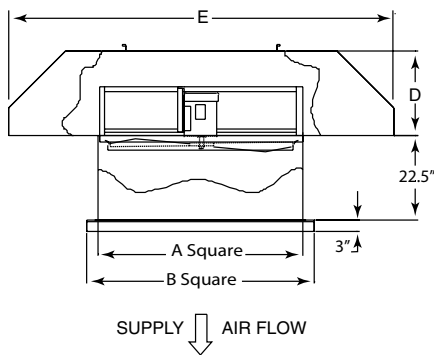
\*See page 111 for information on hazardous location models.

# ROOF MOUNT FAN DIMENSIONS

## BELT DRIVE



## DIRECT DRIVE



BLADE DIA.	Inside Dimensions					APPROX. WT. (LBS.)
	A	B	D	E	F	
24	30	36	12	60	34	300
30	36	42	15	72	40	340
36	42	48	18	82	46	430
42	48	54	21	92	52	500
48	54	60	22-1/2	102	58	575
54	60	66	22-1/2	108	64	800
60	66	72	28-1/2	120	70	875

