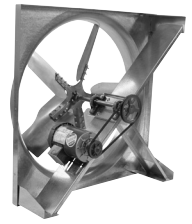


MODEL LCE

SIDEWALL BELT DRIVE PROPELLER EXHAUST FAN



APPLICATION

Model LCE (exhaust) are high capacity belt driven propeller fans. Their primary application is the exhaust of large volumes of air at relatively low static pressures from commercial, light industrial and agricultural buildings such as manufacturing and assembly plants, warehouses, parking garages, gymnasiums, equipment rooms, distribution centers, poultry and greenhouses.

Belt driven fans provide large volumes of air at low fan speeds and low noise levels and afford quick, easy performance adjustments.



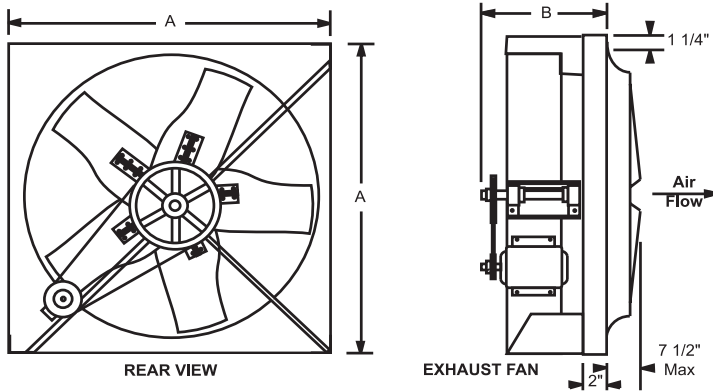
S&P USA Ventilation Systems, LLC., Div. of Soler & Palau Ventilation Group, certifies that the Models SGB shown herein are licensed to bear the AMCA Seal. The ratings shown are based on test and procedures performed in accordance with AMCA Publication 211 and AMCA Publication 311 and comply with the requirement of the AMCA Certified Ratings Program.



LISTED POWER
ROOF VENTILATOR
UL STANDARD 705



DIMENSIONAL DATA



SIZE	A	B	AVG SHIP WT
20	24	15	160
24	30	15	200
30	36	15	270
36	42	15	355
42	48	16	460
48	54	16	500
54	60	20	650
60	66	20	950

ACCESSORIES

MODEL LCE	RECOMMENDED DAMPER*		DAMPER MOTOR (LOOSE)	WALL HOUSING PACK WITH GRAVITY DAMPER	WALL HOUSING PACK WITH MOTORIZED DAMPER	RAINHOOD	RAINHOOD BIRDSCREEN
	OD	STOCK NO.	STOCK NO.	STOCK NO.	STOCK NO.	STOCK NO.	STOCK NO.
20	22 1/2	EAS20 ●	EAS1232MTR ●	WHPLCE20 ●	WHPLCE20M ▲	5520.8.20KDS ●	5521.5.20RHS ●
24	28 1/2	EAS26 ●	EAS1232MTR ●	WHPLCE24 ●	WHPLCE24M ▲	5520.8.24KDS ●	5521.5.24RHS ●
30	34 1/2	EAS32 ●	EAS1232MTR ●	WHPLCE30 ●	WHPLCE30M ▲	5520.8.30KDS ●	5521.5.30RHS ●
36	40 1/2	EAS38 ●	EAS3850MTR ●	WHPLCE36 ●	WHPLCE36M ▲	5520.8.36KDS ●	5521.5.36RHS ●
42	46 1/2	EAS44 ●	EAS3850MTR ●	WHPLCE42 ●	WHPLCE42M ▲	5520.8.42KDS ●	5521.5.42RHS ●
48	52 1/2	EAS50 ●	EAS3850MTR ●	WHPLCE48 ●	WHPLCE48M ▲	5520.8.48KDS ●	5521.5.48RHS ●
54	58 1/2	S3GA54 ◆	MA220 ◆	WHPLCE54 ◆	WHPLCE54M ◆	5520.8.54KDS ◆	5521.5.54RHS ◆
60	64 1/2	S3GA62 ◆	MA220 ◆	WHPLCE60 ◆	WHPLCE60M ◆	5520.8.60KDS ◆	5521.5.60RHS ◆

MODEL LCE					Sidewall Belt Drive Propeller Exhaust Fan						Ventilator with Open Drip-proof Motor and Drive Assembly	
Model LCE	Motor HP	Max BHP	RPM	SONES @ 0 SP	CFM at Static Pressure						115/1/60*	208-230/460/3/60
					0	1/10	1/8	1/4	3/8	1/2	STOCK NO.	STOCK NO.
20	1/4	0.29	955	11.5	3983	3600	3491	-	-	-	LCE20MH1S ●	LCE20MH3S ●
	1/3	0.37	1050	13.5	4379	4038	3942	-	-	-	LCE20PH1S ●	LCE20PH3S ●
	1/2	0.56	1180	16.4	4921	4626	4543	4082	-	-	LCE20QH1S ●	LCE20QH3S ●
	3/4	0.85	1350	20.0	5630	5377	5308	4934	4462	-	LCE20RH1S ●	LCE20RH3S ●
24	1/4	0.28	595	10.2	5287	4599	4375	-	-	-	LCE24MH1S ●	LCE24MH3S ●
	1/3	0.37	655	12.1	5820	5218	5034	-	-	-	LCE24PH1S ●	LCE24PH3S ●
	1/2	0.57	760	15.7	6753	6254	6112	-	-	-	LCE24QH1S ●	LCE24QH3S ●
	3/4	0.86	875	19.8	7775	7353	-	-	-	-	LCE24RH1S ●	LCE24RH3S ●
	1	1.13	950	22.0	8441	8057	7953	7369	-	-	LCE24SH1S ●	LCE24SH3S ●
	1-1/2	1.70	1100	28.0	9774	9447	9361	-	-	-	LCE24TH1S ●	LCE24TH3S ●
30	1/4	0.28	440	9.0	7201	5846	5333	-	-	-	LCE30MH1S ●	LCE30MH3S ●
	1/3	0.37	485	10.5	7938	6762	6383	-	-	-	LCE30PH1S ●	LCE30PH3S ●
	1/2	0.56	555	13.3	9083	8081	7805	5737	-	-	LCE30QH1S ●	LCE30QH3S ●
	3/4	0.86	640	17.1	10474	9670	9405	7965	-	-	LCE30RH1S ●	LCE30RH3S ●
	1	1.13	700	20.0	11456	10755	10526	9337	7645	-	LCE30SH1S ●	LCE30SH3S ●
	1-1/2	1.72	805	24.0	13175	12594	12422	11420	10248	8734	LCE30TH1S ●	LCE30TH3S ●
36	1/3	0.37	375	9.7	10341	8171	7360	-	-	-	LCE36PH1S ●	LCE36PH3S ●
	1/2	0.56	430	11.9	11858	10126	9550	-	-	-	LCE36QH1S ●	LCE36QH3S ●
	3/4	0.86	495	15.3	13650	12177	11783	8917	-	-	LCE36RH1S ●	LCE36RH3S ●
	1	1.14	545	18.1	15029	13715	13354	11014	-	-	LCE36SH1S ●	LCE36SH3S ●
	1-1/2	1.68	620	22.0	17097	15969	15659	13951	11514	-	LCE36TH1S ●	LCE36TH3S ●
	2	2.27	685	25.0	18889	17884	17610	16177	14197	11882	LCE36VH1S ●	LCE36VH3S ●
42	1/3	0.37	295	8.4	12741	8967	7580	-	-	-	LCE42PH1S ●	LCE42PH3S ●
	1/2	0.57	340	9.8	14685	11833	10729	-	-	-	LCE42QH1S ●	LCE42QH3S ●
	3/4	0.86	390	12.6	16845	14472	13773	-	-	-	LCE42RH1S ●	LCE42RH3S ●
	1	1.11	425	14.9	18356	16214	15618	11437	-	-	LCE42SH1S ●	LCE42SH3S ●
	1-1/2	1.71	490	18.8	21164	19358	18853	15803	10234	-	LCE42TH1S ●	LCE42TH3S ●
	2	2.28	540	22.0	23323	21716	21269	18842	15398	-	LCE42VH1S ●	LCE42VH3S ●
48	1/2	0.56	280	10.0	17359	12937	11135	-	-	-	LCE48QH1S ●	LCE48QH3S ●
	3/4	0.83	320	12.1	19839	16211	15103	-	-	-	LCE48RH1S ●	LCE48RH3S ●
	1	1.14	355	14.3	22009	18777	17918	-	-	-	LCE48SH1S ●	LCE48SH3S ●
	1-1/2	1.69	405	17.8	25109	22355	21583	16722	-	-	LCE48TH1S ●	LCE48TH3S ●
	2	2.24	445	21.0	27589	25120	24445	20667	12360	-	LCE48VH1S ●	LCE48VH3S ●
54	3/4	0.82	260	11.0	22518	16509	13484	-	-	-	LCE54RH1S ◆	LCE54RH3S ◆
	1	1.14	290	13.1	25116	20279	18371	-	-	-	LCE54SH1S ◆	LCE54SH3S ◆
	1-1/2	1.69	330	16.8	28581	24454	23304	-	-	-	LCE54TH1S ◆	LCE54TH3S ◆
	2	2.28	365	19.4	31612	27893	26943	18251	-	-	LCE54VH1S ◆	LCE54VH3S ◆
	3	3.35	415	24.0	35943	32649	31852	26690	-	-	N/A	LCE54WH3S ◆
60	1	1.14	260	11.5	27954	-	-	-	-	-	LCE60SH1S ◆	LCE60SH3S ◆
	1-1/2	1.67	295	14.3	31717	26373	24724	-	-	-	LCE60TH1S ◆	LCE60TH3S ◆
	2	2.23	325	17.1	34942	30223	28847	-	-	-	LCE60VH1S ◆	LCE60VH3S ◆
	3	3.42	375	21.0	40318	36250	35236	-	-	-	N/A	LCE60WH3S ◆

Performance ratings include the effects of appurtenances (accessories).

Power ratings (BHP) do not include transmission losses.

Performance certified is for installation type A-free inlet, free outlet.

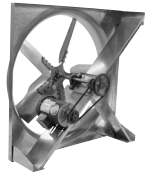
The sound ratings shown are loudness values in fan sones @ 5' (1.5m) in a hemispherical free field calculated per AMCA Standard 301.

Installation Type A: free inlet hemispherical sone levels.

*Tri-voltage (115-208-230) is standard on 3/4 through 1 1/2 HP Single phase motors. Tri-voltage is available for the 1/2 HP motors. Inquire for price and delivery.

MODEL LCS

SIDEWALL BELT DRIVE PROPELLER SUPPLY FAN



APPLICATION

Model LCS (supply) are high capacity belt driven propeller fans. Their primary application is the supply of large volumes of air at relatively low static pressures from commercial, light industrial and agricultural buildings such as manufacturing and assembly plants, warehouses, parking garages, gymnasiums, equipment rooms, distribution centers, poultry and greenhouses.

Belt driven fans provide large volumes of air at low fan speeds and low noise levels and afford quick, easy performance adjustments.

When suspended from the ceiling, thus keeping floor spaces open, model LC can be installed to direct large volumes of air downward toward work centers improving employee comfort and productivity.



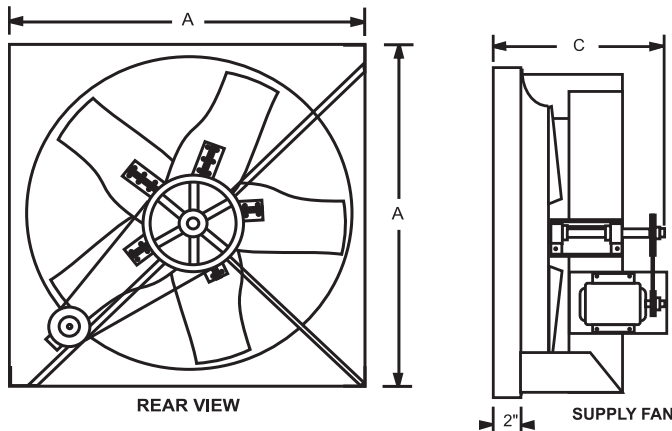
S&P USA Ventilation Systems, LLC., Div. of Soler & Palau Ventilation Group, certifies that the Models LC shown herein are licensed to bear the AMCA Seal. The ratings shown are based on test and procedures performed in accordance with AMCA Publication 211 and AMCA Publication 311 and comply with the requirement of the AMCA Certified Ratings Program.



UL STANDARD 705



DIMENSIONAL DATA



SIZE	A	C	AVG SHIP WT
20	24	23	160
24	30	23	200
30	36	24	270
36	42	24	355
42	48	24	460
48	54	24	500
54	60	26	650
60	66	26	950

ACCESSORIES

MODEL LCS	RECOMMENDED DAMPER* (SUPPLY)		DAMPER MOTOR (LOOSE)	WALL HOUSING PACK WITH GRAVITY DAMPER (SUPPLY)*	WALL HOUSING PACK WITH MOTORIZED DAMPER (SUPPLY)*	RAINHOOD (SUPPLY)*	RAINHOOD BIRDSCREEN (SUPPLY)*
	OD	STOCK NO.	STOCK NO.	STOCK NO.	STOCK NO.	STOCK NO.	STOCK NO.
20	22 1/2	S3GA20RF \blacklozenge ●	MP2781 ●	WHPLCS20 ●	WHPLCS20M ▲	7520.8.20KDS ●	7521.5.20RHS ●
24	28 1/2	S3GA26RF \blacklozenge ●	MP2781 ●	WHPLCS24 ●	WHPLCS24M ▲	7520.8.24KDS ●	7521.5.24RHS ●
30	34 1/2	S3GA32RF \blacklozenge ●	MP2781 ●	WHPLCS30 ●	WHPLCS30M ▲	7520.8.30KDS ●	7521.5.30RHS ●
36	40 1/2	S3GA38RF ●	MA220 ●	WHPLCS36 ●	WHPLCS36M ▲	7520.8.36KDS ●	7521.5.36RHS ●
42	46 1/2	S3GA44RF ●	MA220 ●	WHPLCS42 ●	WHPLCS42M ▲	7520.8.42KDS ●	7521.5.42RHS ●
48	52 1/2	S3GA50RF ●	MA220 ●	WHPLCS48 ●	WHPLCS48M ▲	7520.8.48KDS ●	7521.5.48RHS ●
54	58 1/2	S3GA56RF \blacklozenge	MA220 \blacklozenge	WHPLCS54 \blacklozenge	WHPLCS54M \blacklozenge	7520.8.54KDS \blacklozenge	7521.5.54RHS \blacklozenge
60	64 1/2	S3GA60RF \blacklozenge	MA220 \blacklozenge	WHPLCS60 \blacklozenge	WHPLCS60M \blacklozenge	7520.8.60KDS \blacklozenge	7521.5.60RHS \blacklozenge

MODEL LCS					Sidewall Belt Drive Propeller Supply Fan							Ventilator with Open Drip-proof Motor and Drive Assembly	
Model LCS	Motor HP	Max BHP	RPM	SONES @ 0 SP	CFM at Static Pressure						115/1/60*	208-230/460/3/60	
					0	1/10	1/8	1/4	3/8	1/2	STOCK NO.	STOCK NO.	
20	1/4	0.29	955	11.5	3983	3600	3491	-	-	-	LCS20MH1S ●	LCS20MH3S ●	
	1/3	0.37	1050	13.5	4379	4038	3942	-	-	-	LCS20PH1S ●	LCS20PH3S ●	
	1/2	0.56	1180	16.4	4921	4626	4543	4082	-	-	LCS20QH1S ●	LCS20QH3S ●	
	3/4	0.85	1350	20.0	5630	5377	5308	4934	4462	-	LCS20RH1S ●	LCS20RH3S ●	
24	1/4	0.28	595	10.2	5287	4599	4375	-	-	-	LCS24MH1S ●	LCS24MH3S ●	
	1/3	0.37	655	12.1	5820	5218	5034	-	-	-	LCS24PH1S ●	LCS24PH3S ●	
	1/2	0.57	760	15.7	6753	6254	6112	-	-	-	LCS24QH1S ●	LCS24QH3S ●	
	3/4	0.86	875	19.8	7775	7353	-	-	-	-	LCS24RH1S ●	LCS24RH3S ●	
	1	1.13	950	22.0	8441	8057	7953	7369	-	-	LCS24SH1S ●	LCS24SH3S ●	
	1-1/2	1.70	1100	28.0	9774	9447	9361	-	-	-	LCS24TH1S ●	LCS24TH3S ●	
30	1/4	0.28	440	9.0	7201	5846	5333	-	-	-	LCS30MH1S ●	LCS30MH3S ●	
	1/3	0.37	485	10.5	7938	6762	6383	-	-	-	LCS30PH1S ●	LCS30PH3S ●	
	1/2	0.56	555	13.3	9083	8081	7805	5737	-	-	LCS30QH1S ●	LCS30QH3S ●	
	3/4	0.86	640	17.1	10474	9670	9405	7965	-	-	LCS30RH1S ●	LCS30RH3S ●	
	1	1.13	700	20.0	11456	10755	10526	9337	7645	-	LCS30SH1S ●	LCS30SH3S ●	
	1-1/2	1.72	805	24.0	13175	12594	12422	11420	10248	8734	LCS30TH1S ●	LCS30TH3S ●	
36	1/3	0.37	375	9.7	10341	8171	7360	-	-	-	LCS36PH1S ●	LCS36PH3S ●	
	1/2	0.56	430	11.9	11858	10126	9550	-	-	-	LCS36QH1S ●	LCS36QH3S ●	
	3/4	0.86	495	15.3	13650	12177	11783	8917	-	-	LCS36RH1S ●	LCS36RH3S ●	
	1	1.14	545	18.1	15029	13715	13354	11014	-	-	LCS36SH1S ●	LCS36SH3S ●	
	1-1/2	1.68	620	22.0	17097	15969	15659	13951	11514	-	LCS36TH1S ●	LCS36TH3S ●	
	2	2.27	685	25.0	18889	17884	17610	16177	14197	11882	LCS36VH1S ●	LCS36VH3S ●	
42	1/3	0.37	295	8.4	12741	8967	7580	-	-	-	LCS42PH1S ●	LCS42PH3S ●	
	1/2	0.57	340	9.8	14685	11833	10729	-	-	-	LCS42QH1S ●	LCS42QH3S ●	
	3/4	0.86	390	12.6	16845	14472	13773	-	-	-	LCS42RH1S ●	LCS42RH3S ●	
	1	1.11	425	14.9	18356	16214	15618	11437	-	-	LCS42SH1S ●	LCS42SH3S ●	
	1-1/2	1.71	490	18.8	21164	19358	18853	15803	10234	-	LCS42TH1S ●	LCS42TH3S ●	
	2	2.28	540	22.0	23323	21716	21269	18842	15398	-	LCS42VH1S ●	LCS42VH3S ●	
48	1/2	0.56	280	10.0	17359	12937	11135	-	-	-	LCS48QH1S ●	LCS48QH3S ●	
	3/4	0.83	320	12.1	19839	16211	15103	-	-	-	LCS48RH1S ●	LCS48RH3S ●	
	1	1.14	355	14.3	22009	18777	17918	-	-	-	LCS48SH1S ●	LCS48SH3S ●	
	1-1/2	1.69	405	17.8	25109	22355	21583	16722	-	-	LCS48TH1S ●	LCS48TH3S ●	
	2	2.24	445	21.0	27589	25120	24445	20667	12360	-	LCS48VH1S ●	LCS48VH3S ●	
54	3/4	0.82	260	11.0	22518	16509	13484	-	-	-	LCS54RH1S ◆	LCS54RH3S ◆	
	1	1.14	290	13.1	25116	20279	18371	-	-	-	LCS54SH1S ◆	LCS54SH3S ◆	
	1-1/2	1.69	330	16.8	28581	24454	23304	-	-	-	LCS54TH1S ◆	LCS54TH3S ◆	
	2	2.28	365	19.4	31612	27893	26943	18251	-	-	LCS54VH1S ◆	LCS54VH3S ◆	
	3	3.35	415	24.0	35943	32649	31852	26690	-	-	N/A	LCS54WH3S ◆	
60	1	1.14	260	11.5	27954	-	-	-	-	-	LCS60SH1S ◆	LCS60SH3S ◆	
	1-1/2	1.67	295	14.3	31717	26373	24724	-	-	-	LCS60TH1S ◆	LCS60TH3S ◆	
	2	2.23	325	17.1	34942	30223	28847	-	-	-	LCS60VH1S ◆	LCS60VH3S ◆	
	3	3.42	375	21.0	40318	36250	35236	-	-	-	N/A	LCS60WH3S ◆	

Performance ratings include the effects of appurtenances (accessories).

Power ratings (BHP) do not include transmission losses.

Performance certified is for installation type A-free inlet, free outlet.

The sound ratings shown are loudness values in fan sones @ 5' (1.5m) in a hemispherical free field calculated per AMCA Standard 301.

Installation Type A: free inlet hemispherical sone levels.

*Tri-voltage (115-208-230) is standard on 3/4 through 1 1/2 HP Single phase motors. Tri-voltage is available for the 1/2 HP motors. Inquire for price and delivery.