



Spun Aluminum Exhausters

XSA-UB
Belt Drive Series

**SOLD
EXCLUSIVELY
AT**



**INDUSTRIAL
FANS • DIRECT**

The XSA-UB Series shown herein are licensed to bear the AMCA Seal. The ratings shown are based on tests and procedures performed in accordance with AMCA Publications 211 & 311 and comply with the requirements of the AMCA Certified Ratings Programme.



WARRANTY

National Fans Co. products are guaranteed for a period of one year against manufacturing defects in material and workmanship when operating under normal conditions. Liability is limited to the replacement of defective parts. Labour and transportation costs are not included.

National Fan Co.

9700 Harbour PI STE 128,
Mukilteo, WA 98275

1-866-727-1060

If a replacement is warranted the following **MUST** be provided:

1. Model of equipment
2. Date of manufacture
3. Original Invoice reference number(s)

<https://industrialfansdirect.com/national-fan-co>



Focused on Fans.

XSA-UB SERIES - UPBLAST BELT DRIVE SPUN ALUMINUM EXHAUSTERS



Ideal for exhausting air from restaurants, offices, warehouses, or commercial buildings. The XSA series spun aluminum exhaust fan can be used as either a roof top or wall mount exhaust fan.

FEATURES

- Spun aluminum housing will not rust, chip or peel.
- Aluminum backward inclined wheel is non-overloading.
- Belt drive.
- For motor options consult our fan selection software Delair. www.canarm.com/delair
- Units up to 24" (max 2HP) can be wall mounted.
- Quick release latches for easy motor access.



UL705 Supplement SC - Power Ventilator for Restaurant Exhaust Appliances certified, refer to our UL705 Supplement SC - Power Ventilator for Restaurant Exhaust Appliances Catalogue page C in Roof Mount Ventilation for all Installation requirements



UL705 POWER VENTILATION FOR RESTAURANT EXHAUST APPLIANCES

OPTIONS

- Wall mount bracket (for all sizes up to 24")
- Grease collection box (required for restaurant exhaust applications)
- Curb hinge
- Disconnect switches
- Roof curbs
- Other base (curb cap) options available. See C2 in dimensions table.

For use only in non-restaurant applications:

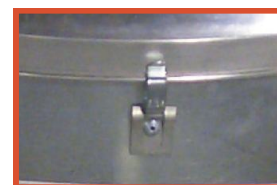
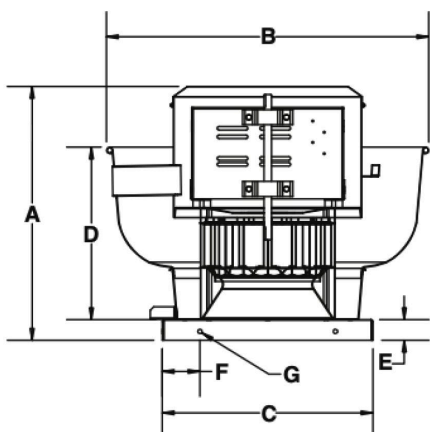
- Motorized damper
- Gravity (automatic) damper
- Bird screen

DIMENSIONS

NOTE: DUE TO MOTOR MANUFACTURERS VARIANCES IN DESIGN, PLEASE SEE USER MANUAL FOR MOTOR DIMENSIONAL GUIDELINES.

MODEL	DIMENSIONS (INCHES)												WEIGHT (lbs) without motors
	A	B	C	C2	D	E	F	Gø	Shaft Size	Wheel Diameter	Roof Opening		
XSA135-UB	25.25	32.13	21.00	24.75	17.13	2.00	3.75	0.44	3/4"	13.50	17.00	43	
XSA210-UB	36.25	43.75	33.13	40.00	25.50	2.50	4.00	0.44	1"	21.00	29.00	178	
XSA245-UB	37.00	43.75	33.13	40.00	25.50	2.50	4.00	0.44	1"	24.50	29.00	183	

Note: Net weights for belt drive units do not include motor & drives.



QUICK RELEASE LATCHES FOR EASY MOTOR ACCESS



The XSA-UB Series shown herein are licensed to bear the AMCA Seal. The ratings shown are based on tests and procedures performed in accordance with AMCA Publications 211 & 311 and comply with the requirements of the AMCA Certified Ratings Programme.



The AMCA certified ratings seal applies to air and sound performance only. The XSA-UB Series shown herein are not approved by AMCA for FEI ratings.

DISCONNECT SWITCHES

- Wire disconnect switches are available
See Controls & Thermostats section for details - <https://industrialfansdirect.com/exhaust-fans/controls>

XSA-UB SERIES - UPBLAST BELT DRIVE SPUN ALUMINUM EXHAUSTERS



PERFORMANCE SPECIFICATIONS

XSA UB WITH MOTORS & DRIVES

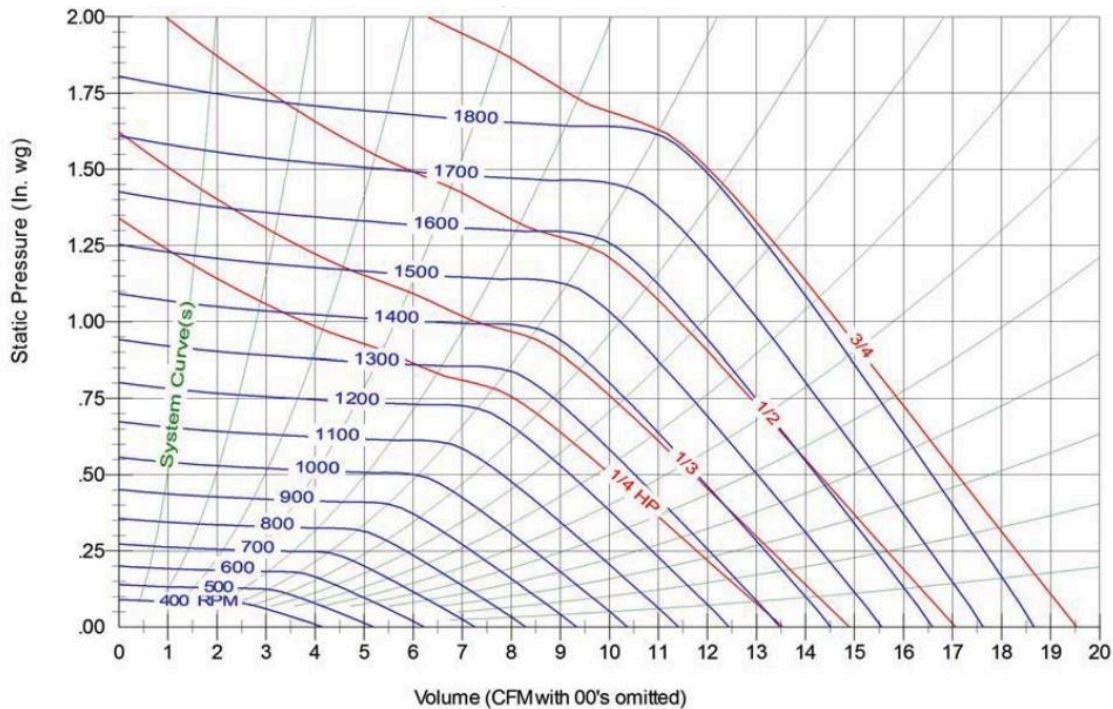
MODEL	RPM RANGE	HP	RPM	Sones @ 1/2" SP	0" SP				1/2" SP				1" SP				1-1/4" SP				1-1/2" SP			
					CFM	BHP	FEI	FEPact (kW)	CFM	BHP	FEI	FEPact (kW)	CFM	BHP	FEI	FEPact (kW)	CFM	BHP	FEI	FEPact (kW)	CFM	BHP	FEI	FEPact (kW)
SINGLE PHASE AND WIRED DISCONNECT																								
XSA135-UBT10050**	1137-1574	1/2	1394	16.5	1662	-	-	-	1377	-	-	-	974	-	-	-	-	-	-	-	-	-		
THREE PHASE WITH NO DISCONNECT																								
XSA210-UBT30150M*	862-1132	1 1/2	1017	21	4771	1.31	0.45	1.24	4172	1.31	0.83	1.24	3387	1.30	1.04	1.23	2785	1.25	1.06	1.18	-	-		
XSA245-UBT30150M*	673-889	1 1/2	790	18.9	5701	1.13	0.60	1.08	4615	1.17	1.00	1.11	2885	1.05	1.11	1.01	-	-	-	-	-	-		
XSA245-UBT30300M*	862-1132	3	964	28	6954	2.06	0.41	1.86	6103	2.13	0.74	1.92	5046	2.10	0.95	1.90	4375	2.04	1.00	1.85	3442	1.90	0.99	1.73

**115V only. All other motors will be wired at high voltage.

For three phase motors, substitute "" with "M" fir 230/460 volt (wired for 460V) or "P" for 575 volt

XSA135-UB Max RPM - 1800 Max HP - 3/4 Shaft Size - 3/4"

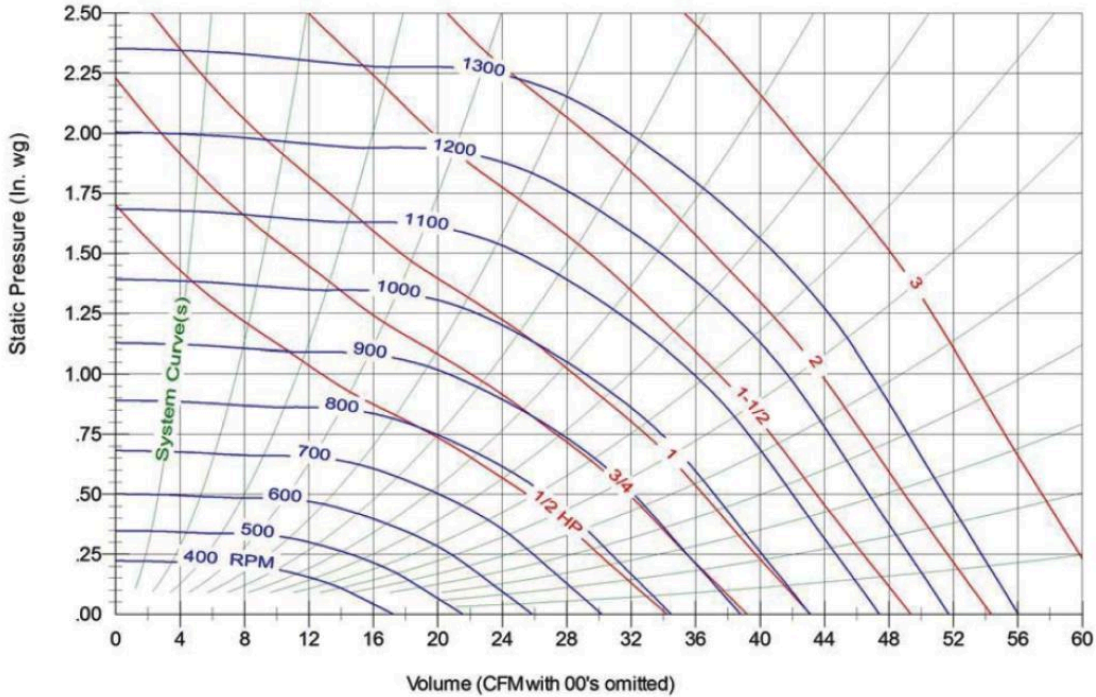
The XSA-UB Series shown herein are licensed to bear the AMCA Seal. The ratings shown are based on tests and procedures performed in accordance with AMCA Publications 211 & 311 and comply with the requirements of the AMCA Certified Ratings Programme.



XSA-UB SERIES - UPBLAST BELT DRIVE SPUN ALUMINUM EXHAUSTERS



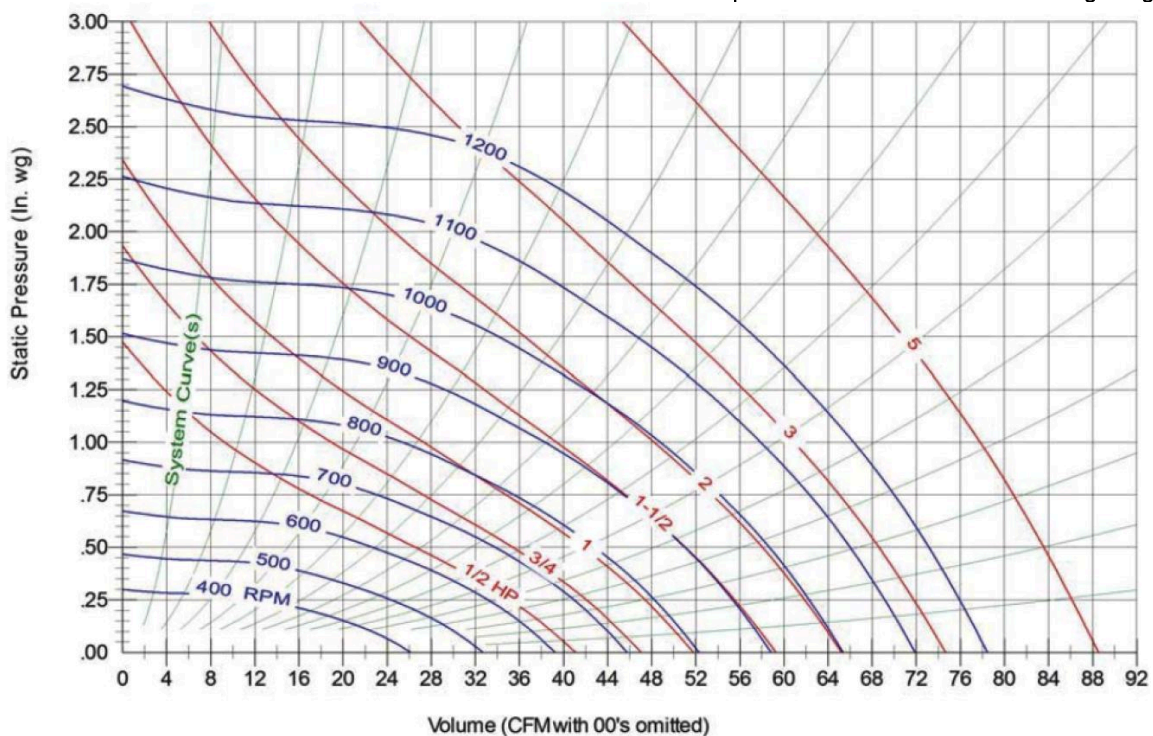
XSA210-UB Max RPM - 1300 Max HP - 3 Shaft Size - 1"



The XSA-UB Series shown herein are licensed to bear the AMCA Seal. The ratings shown are based on tests and procedures performed in accordance with AMCA Publications 211 & 311 and comply with the requirements of the AMCA Certified Ratings Programme.

Performance certified is for installation type A - Free Inlet, Free outlet, Power rating (HP) does not include transmission losses. Performance ratings do not include the effects of appurtenances (accessories).

XSA245-UB Max RPM - 1200 Max HP - 5 Shaft Size - 1"



The XSA-UB Series shown herein are licensed to bear the AMCA Seal. The ratings shown are based on tests and procedures performed in accordance with AMCA Publications 211 & 311 and comply with the requirements of the AMCA Certified Ratings Programme.

Performance certified is for installation type A - Free Inlet, Free outlet, Power rating (HP) does not include transmission losses. Performance ratings do not include the effects of appurtenances (accessories).

XSA-UB SERIES - UPBLAST BELT DRIVE SPUN ALUMINUM EXHAUSTERS



XSA245-UB Max RPM - 1200
 Max HP - 5
 Shaft Size - 1"

The XSA-UB Series shown herein are licensed to bear the AMCA Seal. The ratings shown are based on tests and procedures performed in accordance with AMCA Publications 211 & 311 and comply with the requirements of the AMCA Certified Ratings Programme.

