



RTA - BELT DRIVE ROOF EXHAUSTERS

Belt drive, heavy duty construction ideal for industrial & commercial applications.

SPECIFICATIONS To order RWTA models, replace "RTA" with "RWTA" in the table below.

BLADE DIAMETER	MODEL #		FAN RPM	H.P.	0" S.P.		1/4" S.P.		1/2" S.P.		3/4" S.P.		1" S.P.		Min. CFM	dBA @ 10ft.
	SINGLE PHASE	THREE PHASE			CFM	BHP	CFM	BHP	CFM	BHP	CFM	BHP	CFM	BHP		
18"	RTA18T10050	RTA18T30050*	1556	1/2	3930	0.40	3540	0.45	2830	0.49	-	-	-	-	2600	59
	RTA18T10075	RTA18T30075*	1785	3/4	4530	0.58	4210	0.65	3780	0.73	-	-	-	-	2600	62
	RTA18T10100	RTA18T30100*	1920	1	4890	0.72	4610	0.79	4250	0.86	3680	0.94	-	-	2600	64
	RTA18T10150	RTA18T30150*	2255	1.5	5790	1.15	5550	1.23	5300	1.76	4990	1.40	4530	1.49	2600	68
	RTA18T10200	RTA18T30200*	2510	2	6490	1.59	6280	1.68	6030	1.76	5960	1.86	5510	1.96	2600	72
24"	RTA24T10075	RTA24T30075*	1180	3/4	6325	0.64	5360	0.70	-	-	-	-	-	-	4700	58
	RTA24T10100	RTA24T30100*	1295	1	7020	0.84	6180	0.91	5020	0.96	-	-	-	-	4700	61
	RTA24T10150	RTA24T30150*	1475	1.5	8090	1.22	7390	1.32	6550	1.38	5380	1.42	-	-	4700	65
	RTA24T10200	RTA24T30200*	1620	2	8960	1.60	8330	1.71	7620	1.79	6740	1.86	5460	1.88	4700	67
	RTA24T10300	RTA24T30300*	1890	3	10670	2.49	10060	2.63	9460	2.79	8910	2.84	8240	2.94	4700	72
30"	RTA30T10100	RTA30T30100*	965	1	10050	0.86	8100	0.92	-	-	-	-	-	-	7300	59
	RTA30T10150	RTA30T30150*	1095	1.5	11650	1.26	10130	1.34	7860	1.37	-	-	-	-	7300	62
	RTA30T10200	RTA30T30200*	1225	2	13170	1.74	11930	1.85	10210	1.92	-	-	-	-	7300	65
	RTA30T10300	RTA30T30300*	1380	3	14910	2.48	13930	2.60	12620	2.69	10980	2.74	8240	2.74	7300	67
	RTA30T10500	RTA30T30500*	1635	5	17850	4.08	17160	4.25	16100	4.38	14960	4.48	13570	4.58	7300	72
36"	RTA36T10200	RTA36T30200*	910	2	16650	1.80	13980	1.86	-	-	-	-	-	-	10000	63
	RTA36T10300	RTA36T30300*	1045	3	19220	2.72	17550	2.80	14440	2.8	-	-	-	-	10000	66
	RTA36T10500	RTA36T30500*	1245	5	23610	4.56	21780	4.68	19870	4.75	17380	4.75	12980	4.68	10000	71
	RTA36T10750	RTA36T30750*	1425	7.5	27110	6.81	25790	6.95	22410	7.09	22260	7.13	20080	7.13	10000	75
	RTA42T10200	RTA42T30200*	770	2	19920	1.65	15080	1.80	-	-	-	-	-	-	14000	61
42"	RTA42T10300	RTA42T30300*	895	3	22840	2.60	19620	2.80	14940	2.9	-	-	-	-	14000	65
	RTA42T10500	RTA42T30500*	1005	5	25980	3.66	23230	3.89	19980	4.01	-	-	-	-	14000	67
	RTA42T10750	RTA42T30750*	1205	7.5	31520	6.26	29530	6.54	27040	6.78	24230	6.89	20270	7.07	14000	72
	RTA42T11000	RTA42T31000*	1335	10	35170	8.49	33410	8.76	31270	9.08	29020	9.32	26230	9.39	14000	75
	RTA48T10300	RTA48T30300*	745	3	24330	2.55	20510	2.76	-	-	-	-	-	-	18000	63
48"	RTA48T10500	RTA48T30500*	885	5	29440	4.10	26370	4.46	22380	4.72	-	-	-	-	18000	67
	RTA48T10750	RTA48T30750*	1005	7.5	33850	5.93	31080	6.47	28330	6.81	24740	6.96	-	-	18000	71
	RTA48T11000	RTA48T31000*	1105	10	37270	7.89	34760	8.54	32520	8.99	29760	9.11	26140	9.29	18000	73
	--	RTA48T31500*	1265	15	42900	11.70	40860	12.30	38790	13.13	36270	13.54	34290	13.66	18000	76
	RTA54T10500	RTA54T30500*	710	5	37130	4.26	31680	4.67	-	-	-	-	-	-	23000	68
54"	RTA54T10750	RTA54T30750*	810	7.5	42890	6.20	38660	6.85	33210	6.99	25390	6.87	-	-	23000	71
	RTA54T11000	RTA54T31000*	905	10	48450	8.54	44640	9.41	40140	9.73	34980	9.78	27220	9.53	23000	74
	--	RTA54T31500*	1025	15	55520	12.10	52110	12.92	48280	13.81	44310	14.17	39660	14.22	23000	78
	RTA60T10750	RTA60T30750*	690	7.5	51240	6.45	45760	7.18	35770	7.09	-	-	-	-	29000	68
	RTA60T11000	RTA60T31000*	755	10	56770	8.48	51490	9.21	40470	9.43	31650	8.72	-	-	29000	70
60"	--	RTA60T31500*	870	15	66320	12.52	61710	13.80	56720	14.43	49520	14.34	38320	13.51	29000	74
	--	RTA60T32000*	955	20	73090	16.62	68880	17.70	65690	18.78	59270	18.80	52250	18.83	29000	76



RTA model suitable for use in clean, dry air with a maximum ambient temperature of 93° C (200° F).
 RWTA models are suitable for use in moisture laden air with a maximum ambient temperature of 93° C (200° F).
 RWTA models feature a Teflon shaft seal, poly housing bearings and stainless steel insert.

FEATURES

- TEFC, ball bearing motor is out of air stream and is accessible from the roof, maximum ambient temperature of 40° C (104° F).
- Galvanized steel wind-band and rain-proof butterfly dampers.
- Cast iron pillow block bearings (out of air stream), complete with external grease fittings.
- Cast aluminum blades on 12" to 48" sizes.
- Polypropylene blades reinforced with fiberglass on 54" to 60" size
- Heavy duty pulleys and belts out of air stream

DIMENSIONS

MODEL #	A Dia.	B Dia.	C Sq.	D	E	F	G
RTA18	18 3/8"	24 5/8"	24"	2 1/2"	2	17	18
RTA24	24 3/8"	30 5/8"	30"	2 1/2"	2	19	21
RTA30	30 3/8"	36 5/8"	36"	2 1/2"	2	23	21
RTA36	36 3/8"	42 5/8"	42"	2 1/2"	2	25	27
RTA42	42 3/8"	48 5/8"	48"	2 1/2"	2	27	27
RTA48	48 1/2"	54 5/8"	54"	2 1/2"	2	30	31
RTA54	54 1/2"	60 5/8"	60"	2 1/2"	2	36	40
RTA60	60 1/2"	66 5/8"	68"	2 1/2"	2	36	40

For three phase motors, substitute "*" with "M" for 230/460 volt (If 208V required please specify) or "P" for 575 volt

BHP does not include drive losses

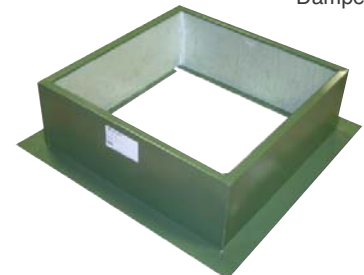
dBA ratings shown are measured at 0" static pressure and should be used as a guideline only

ACCESSORIES

RC ROOF CURB

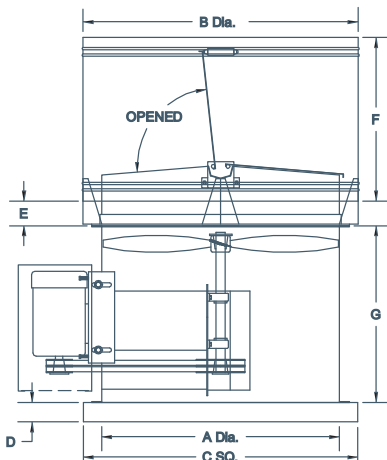
- For Canarm Roof Exhaust fans.
- Sturdy powder coated, 16 gauge steel.
- 3" flanges
- 1" SM insulation
- Damper shelf

FAN SIZE	MODEL NUMBER
18"	RC18
24"	RC24
30"	RC30
36"	RC36
42"	RC42
48"	RC48
54"	RC54
60"	RC60



DISCONNECT SWITCHES

- Wire disconnect switches are available.
- See Controls & Thermostats section for details.



Note
 Roof Exhausters are non-stock items and are non-cancelable and non-refundable without prior authorization.